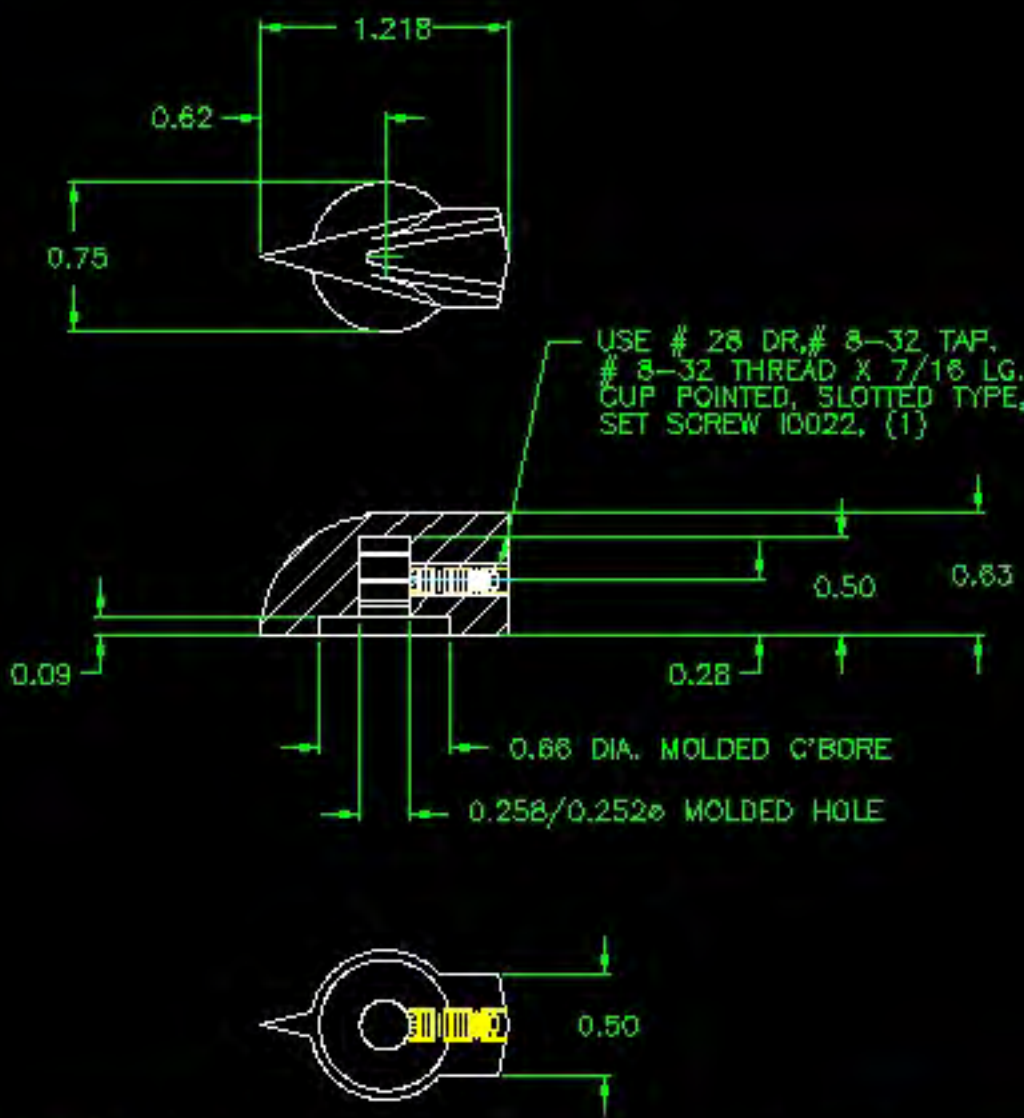


PART NAME: INSERT SCALE: 1:1 DATE: 5/10/43 DR. BY: HM

THIS DRAWING IS THE PROPERTY OF DAVIES MOLDING COMPANY, IS SUBMITTED SOLELY AS A DESIGN OR ENGINEERING PROJECT. WE ACCEPT NO RESPONSIBILITY WHATSOEVER FOR THE PRACTICAL APPLICATION OF THE PIECES MADE TO THIS DESIGN.

DAVIES MOLDING COMPANY
CAROL STREAM, ILLINOIS 60188

P/N	2300
BASE PART	2300-01
SET SCREW	I-22



BASE PART	2300-01
SET SCREW	I-22

MATERIAL: G.P. PHENDLIC (B11)
COLOR : BLACK

TOLERANCES: UNLESS OTHERWISE SPECIFIED	DO NOT SCALE DRAWING			
DECIMALS: X.XXX ± .005 X.XX ± .015	MM: X.XX ± 0.15MM X.X ± 0.4MM	-	UPDATED TOOLBOX	JAM 10/18/02
		-	DWG. UPDATED	HD 5/8/97
		-	CAD/REDRAWN	HD 11/5/82

FRACTIONS ± 1/64 ANG. ± ° CHANGES